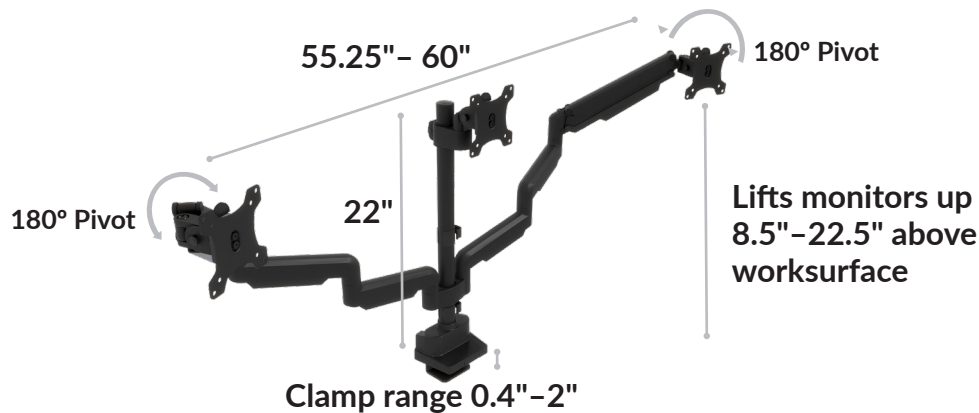


Triple-Monitor Arm

vari®



Key Features:

C-Clamp Compatibility

- Compatible with any desk or table from 0.4" - 2" thick.

Versatile Screen Compatibility

- Supports screen sizes ranging from 17" - 30".
- Recommended for monitors with 16:9 aspect ratio.
- Handles a weight range of 2.2 lb to 17.6 lb per monitor arm.
- VESA compatible (75mm x 75mm and 100mm x 100mm) for integration with most monitors.

Adjustability Options

- 90-degree angle adjustability, 180-degree screen panning, and 360-degree arm swivel for optimal viewing.
- Lifts monitors up to 8.5" - 22.5" above worksurface and extends forward up to 33.15".
- Simple tension mechanism for easy customization.

Built-in Cable Management

- Features built-in cable management to keep cables organized and maintain a clean workspace.

Quick Assembly & BIFMA Standards

- Designed to assemble quickly with all tools included.
- Tested to and meets/exceeds BIFMA standard for quality.